

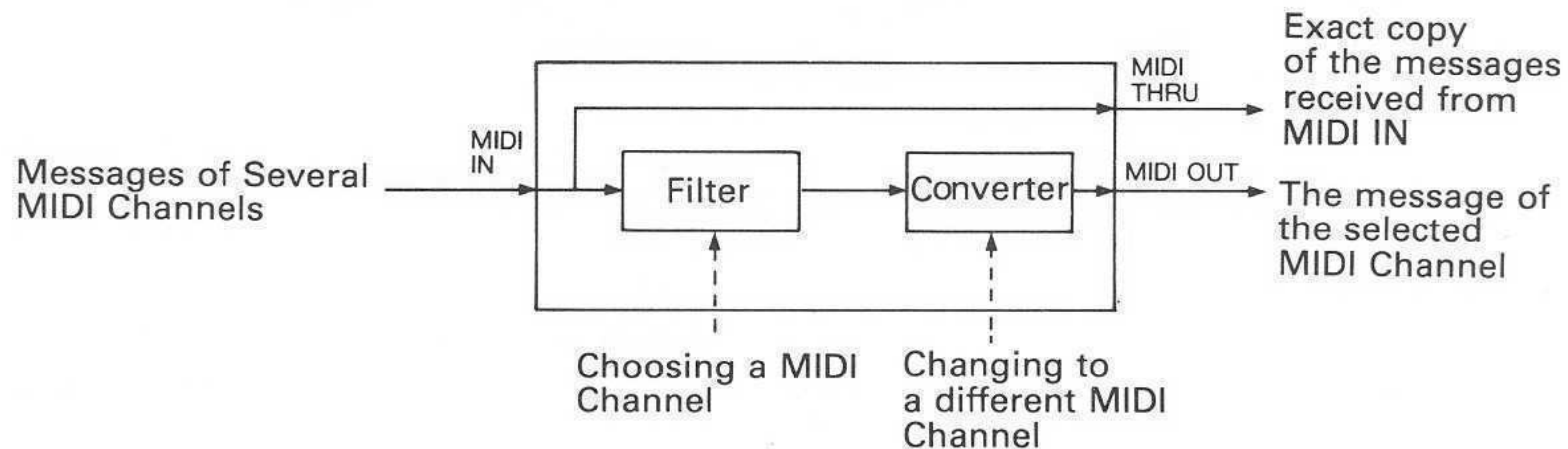
 Roland

MIDI

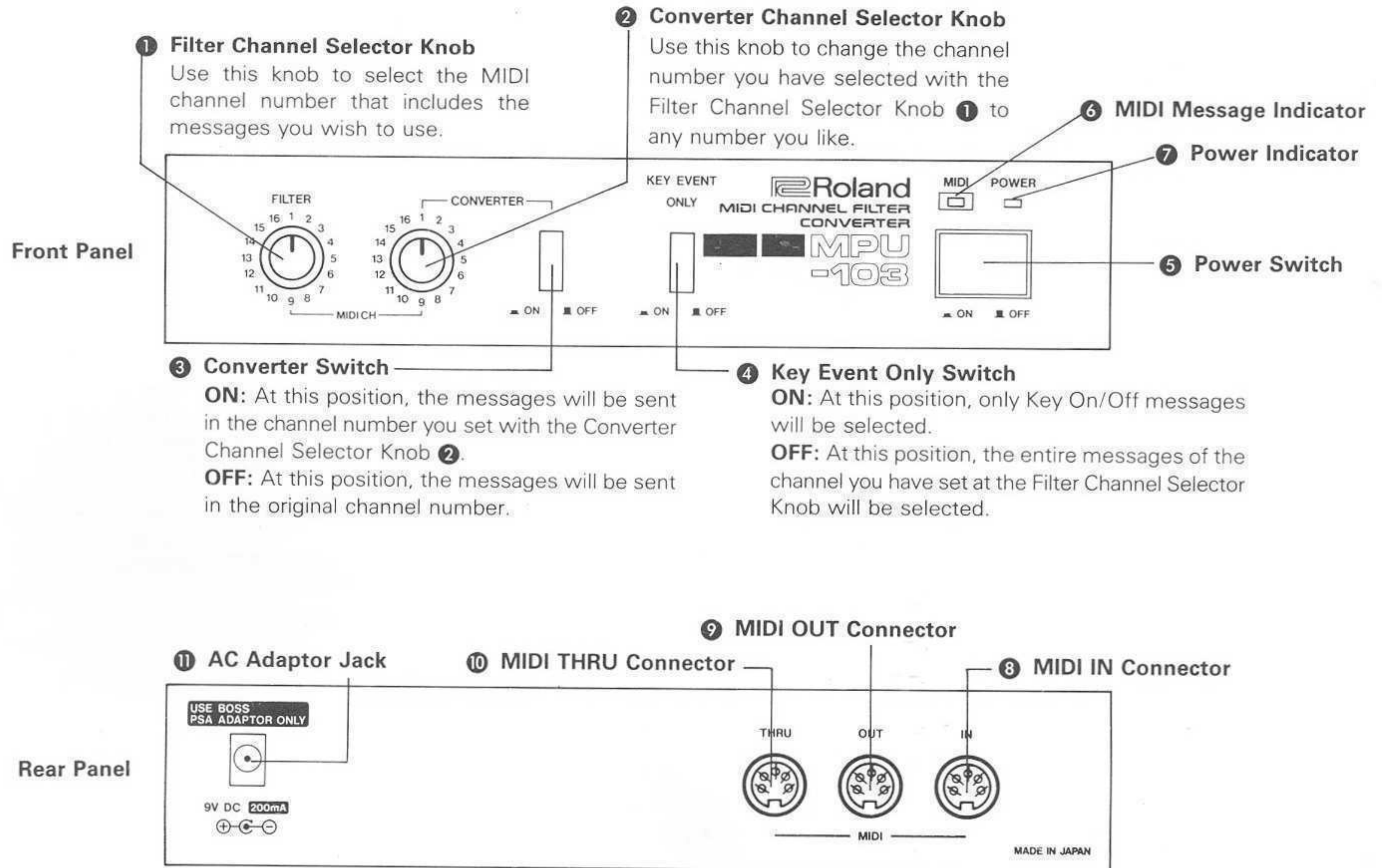
**MIDI CHANNEL FILTER
CONVERTER**
MPU-103

■ OUTLINE

- The MPU-103 can choose any MIDI channel messages from several channels. And it can change any chosen MIDI Channel number to whatever number you like.
- The MPU-103 can reject all the MIDI messages other than Key On/Off messages. Therefore, even the MIDI devices of an old version or substandard can correctly communicate the Key On/Off messages.
- By using the Rack Mount Adaptor RAD-10 (optional), the MPU-103 can be mounted on the standard 19" rack (EIA-1U) together with another MPU-103, the MPU-104 or MPU-105 etc.

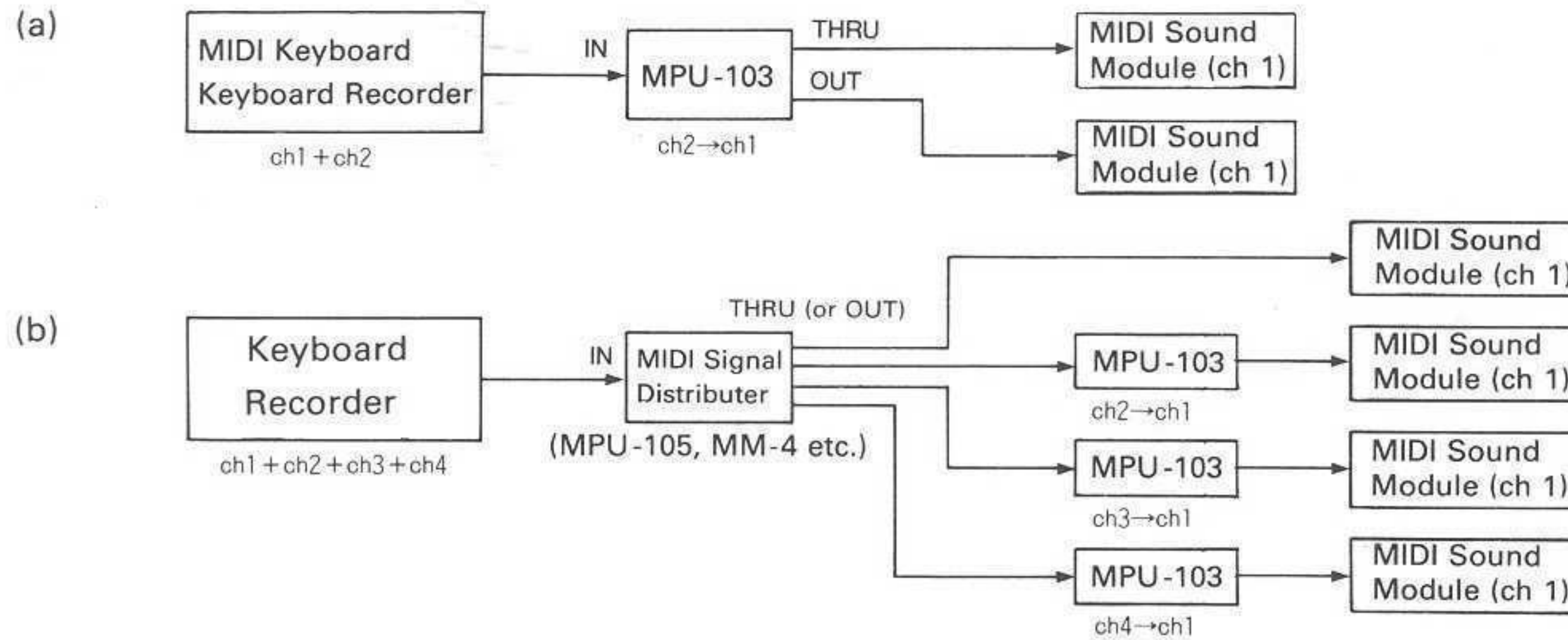


■ PANEL DESCRIPTION

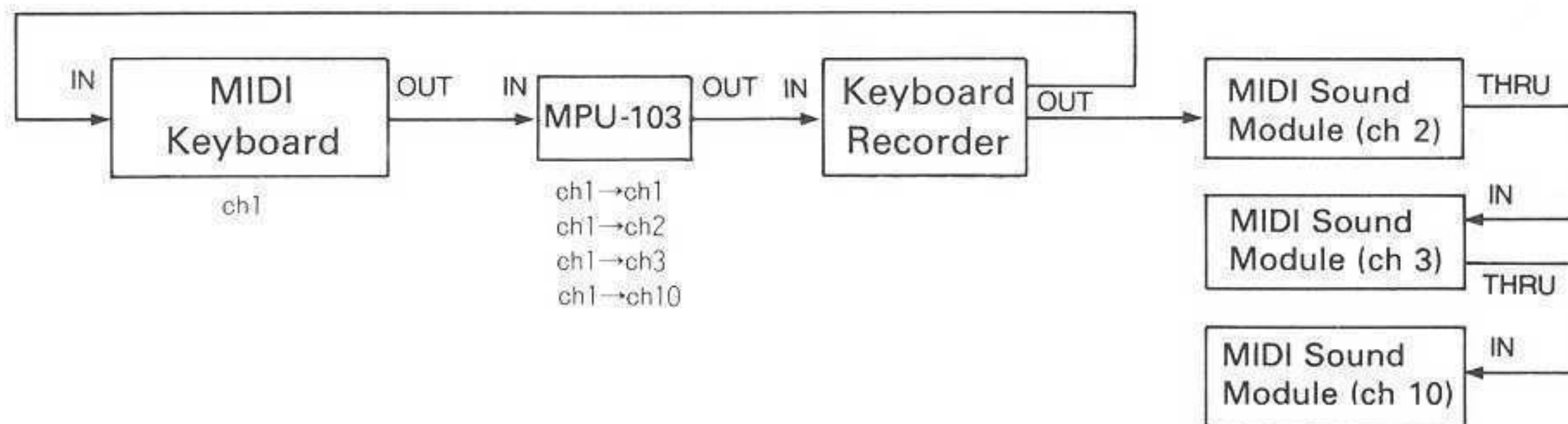


■ CONNECTIONS

1. When using MIDI Sound Modules



2. When using a MIDI Keyboard



■ OPERATION

Set the Converter Switch ③ to the ON position, then set each of the Filter Channel Selector ① and the Converter Channel Selector ② to the necessary positions. (Normally, the Key Event Only Switch ④ should be set to the OFF position.)

- * When the MIDI device of an old version or substandard is used, it may not operate properly. If so, set the Key Event Only Switch ④ to the ON position. (This does not apply to the case when there are problems in the Key ON/Off messages themselves.)

MIDI Messages other than Key On/Off → Real Time, Exclusive, Channel Mode (All Note Off), After Touch, Program Change, Pitch Bender, Modulation, Hold Pedal etc.

[Cautions]

- * Under the following conditions, do not move the position of the knob ① or ②, or the sound module may become out of tune or keep crying.
 - a When Hold effect is on
 - b When Pitch Bend effect is on

■ IMPORTANT NOTES

- Be sure to use the supplied AC Adaptor PSA-120, 220 or 240.
- Power cannot be supplied to the MPU-103 from any of the BOSS Micro Rack Series.
- Avoid using the unit in excessive heat, humidity or where it may be affected by dust.
- Clean the unit with a dry and soft cloth.
 - * Never use solvents such as thinner.

■ SPECIFICATIONS

● Knobs and Switches

Filter Channel Selector Knob
Converter Channel Selector Knob
Converter Switch
Key Event Only Switch
Power Switch

● Indicators

MIDI Message Indicator
Power Indicator

● Jack and Connectors

MIDI Connectors (IN, OUT, THRU)
AC Adaptor Jack

- **Power** 9V DC (AC Adaptor PSA-120, 220 or 240)

- **Current Draw** 200mA (9V DC)

- **Dimensions** 218(W) × 46(H) × 167 (D) mm/
8⁹/₁₆" × 1¹³/₁₆" × 6⁹/₁₆"

- **Weight** (without AC Adaptor) 930g/2 lb 1oz

■ OPTIONS

MIDI Cable MSC-25 (2.5m), MSC-50 (5m)
EIA Rack Mount Adaptor RAD-10

